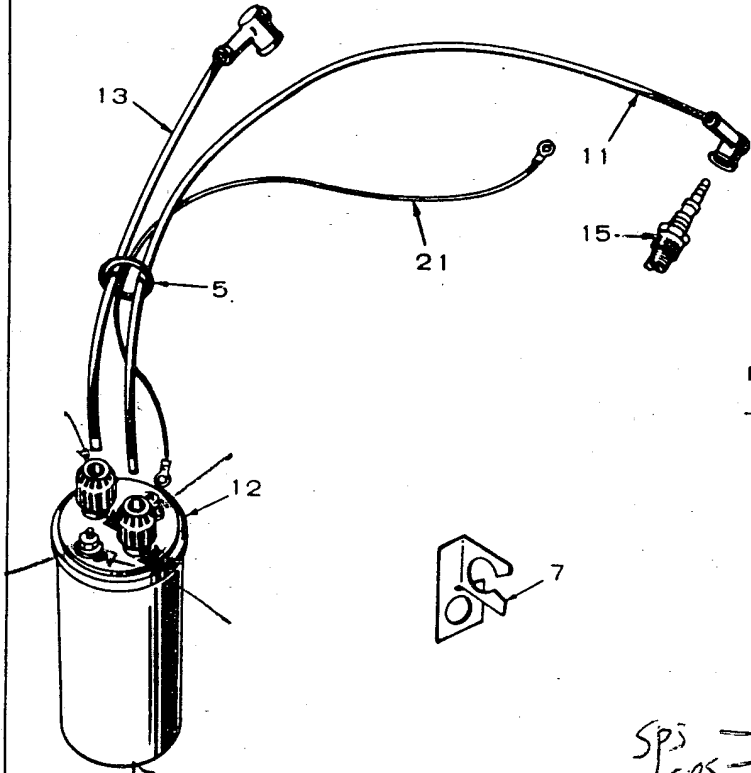
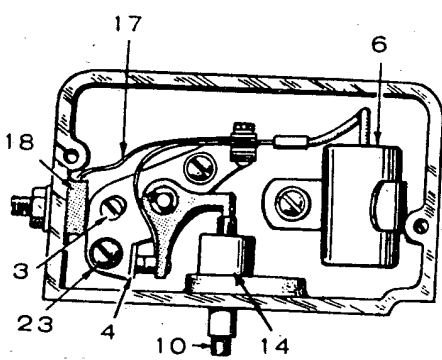
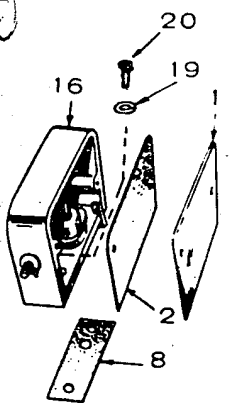


# IGNITION GROUP



Re-Vise  
DRAWING



REF. NO.	PART NO.	QTY. USED	PART DESCRIPTION
1	160-0930	1	*Cover, Breaker Box
2	160-0150	1	*Gasket, Breaker Box Cover
3	160-0075	1	*Cam, Point Gap Adjusting
4	160-0002	1	*Point Set, Breaker
5	509-0035	1	"O" Ring - Spark Plug Cables
6	312-0069	1	*Condenser, Breaker Points
7	167-0188	1	Clip, Spark Plug Cables
8	160-0043	1	Gasket, Breaker Box Mounting
10	160-0265	1	*Plunger
11	167-1464	1	Cable (23-1/2"), Spark Plug - Right Side
12	166- <del>0554</del> 0772	1	Coil, Ignition (Includes Part)
13	167- <del>1463</del> 1602	1	Cable (19"), Spark Plug - Left Side
14	160-0264	1	*Guide, Plunger
15	167-0241	2	Plug, Spark
16	160-0257	1	Box Assembly, Breaker (Includes Parts Marked *)
17	160-0428	1	*Strap, Point Set to Terminal Block
18	160-0349	1	*Block and Terminal Assembly
19	850-0040	2	*Washer (1/4"), Lock
20	802-0034	2	*Screw (1/4-20 x 3/4") - Breaker Box Mounting
21	334-0028	1	Wire, Lead
22	160-1165	1	Bracket, Timing
23	518-0049	3	*Screw (8-32 x 1/4") - Breaker Box
24	166-0554	2	+ Nut
25	850- <del>0005</del> 2005	2	+ Washers, Lock
26	166-0604	2	cap
27	166-0614	2	+ Bushing
28	160-0836	1	Kit, Ignition (Includes Parts marked #)

\* - Parts included in 160-0257 Breaker Box Assembly.  
 # - Parts included with coil.  
 +- Parts " in kit.

